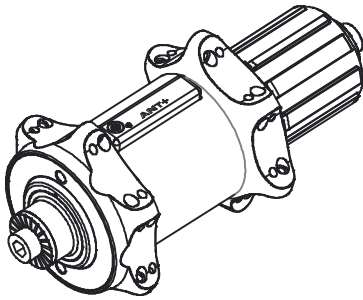


Cyber Motions R1

Model Name : PRS1/R1 Series

Instruction Manual 1.0



1. Cyber Motion R1 :

Cyber Motions R1, an All-In-One Green design of power meter hub. Rear-time cycling workouts measurement such as power, speed and cadence. Through ANT+/BLE wireless transmissions, data can be translated via Cyber Motion or similar Apps, and cycling computer. Enrich intelligent cycling and is indispensable to personal physical fitness, sports training and health management.

2. Package Contents :

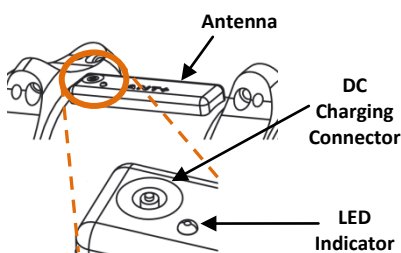
| Item | Qty | Photo |
|------------------------|-----|-------|
| R1 | 1pc | |
| Battery Charging Cable | 1pc | |
| Manual | 1pc | |
| End Cap Removable Tool | 1pc | |

3. Product Descriptions

3.1 Features :

- Real-time cycling data – speed, power, cadence
- Supports O.L.D. 130mm.
- Transmission via ANT+/BLE 2.4GHz
- Compliance with 2.4GHz cycling computers.
- Cassette : Shimano / SRAM / Campagnolo
- Quick Release support.

3.2 Appearance Design



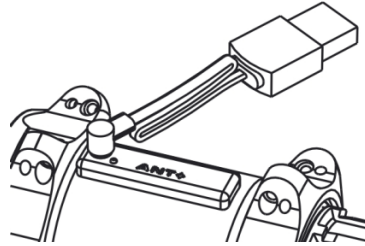
3.3 System Start-Up and Auto-Sleeping Mode

3.3.1 When wheel rolls over one circle, R1 will automatically connect with paired smart phone (or with ANT+/BLE compatible cycle computer)

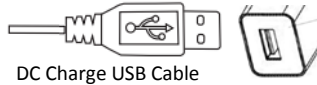
3.3.2 When the bike stops more than 3 minutes, R1 switches directly into power-saving mode.

3.4 Battery Charging :

3.4.1 Magnetic DC power charging.



3.4.2 Battery charging via the DC charger (5V), Power Bank or USB Type A connections.



3.5 LED indications :

3.5.1 ANT+/BLE Active : Flashing Green light 5 seconds (when bike startup and R1 connects to smart phone)

3.5.2 In charging : Orange

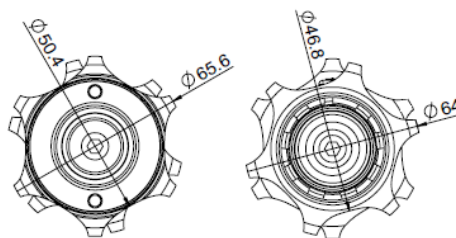
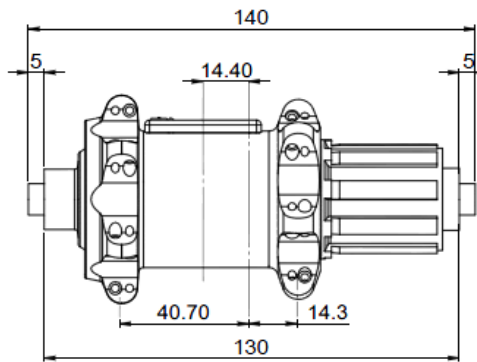
3.5.3 Full charged : Blue

3.5.4 Low power : when power lower than 20%, LED flashes Red Light 5 seconds (1 flash per second)

3.5.5 App software can display the percentage of power.

4. Mechanical

4.1 Dimension :



4.2 Wheel Building :

| Measurements | Road Bike | |
|----------------------|-----------|---------|
| | Non-drive | Drive |
| Hub Center to Flange | 40.7 mm | 14.3 mm |
| Flange Diameter | 65.6 mm | 64.0 mm |
| Spoke Hole Diameter | 2.50 mm | 2.50 mm |

5. Specifications

| Items | Road Bike |
|---------------------|--|
| Signal Transmission | 2.4GHz ANT+/BLE |
| Accuracy | +/-1.5% |
| Axle | 140 mm |
| O.L.D. | 130mm |
| Spoke | Straight-Pull / 24 Holes |
| Material | AL6061(Body) AL7075(Axle) Anodizing |
| Battery Capacity | 170mAh – Li Polymer Rechargeable Battery |
| Operation Time | 68 Hours (full charge) |
| Standby Time | 16,000 Hours (Approx.) |
| Charge Voltage | Power DC +5V |
| Charge Time | 2.5 Hours |
| Operation Temp. | 0 ~ +40°C |
| Storage Temp. | -10 ~ +60°C |
| Weight | 339 g |

6. Safety Notes :

- In order to ensure safe use of this product, please read the product's instruction manual before installing or riding.
- When not used in accordance with the manual, this product may fail or lead to accidents.
- Please follow the traffic regulations of your country/region.

7. Limited Warranty

- Soaring Technology Co. Ltd., (SOTAC) warrants this product to be free from in material and workmanship for a period of 1 year from purchase.
- This warranty is offered to the original purchaser of the product only.
- This warranty does not apply to physically damage such as crash, scratches on appearance; negligence or misuse, abuse, alteration, accident, or an act of GOD.
- The warranty does not cover consumable parts, accessories, software and second-hand product.

Please refer more details in separate statements. Cyber Motions reserves the right to refuse the warranty on product or service for any breach of above statements.